



## Rail systems

Ancona  
Portofino  
Capri

## Glass Roof Awnings



Just  
*enjoy life!*

**Lewens**  
MARKISEN





## Perfection in operation and design

Awnings for glass roofs are highly specialised technical products that make maximum demands in respect of functionality and technology. The glass roof awnings designed by Lewens offer made-to-measure solutions for different applications. They are also reliable, easy to operate and come with a number of equipment options. Superb materials and meticulous workmanship guarantee the longevity of the products.

Based in Ludwigslust, Lewens has been manufacturing a wide portfolio of high-quality awning and glass roof systems for over 20 years. These range from simple to complex designs and are always accurate to the centimetre.

Lewens' awnings and glass roofs are manufactured in a fully integrated operation, extending from the design and making up of the fabric to assembly, on a site covering over 30000 m<sup>2</sup>. High-grade materials, intelligent design and precision in cutting and parts production, together with computer-aided automation in the manufacturing process, form the basis for products distinguished by their extreme reliability.

Consultancy and sales are entrusted to competent retailers, along with installation and on-site servicing. This creates proximity to the customer and ensures optimal service, so that our customers can just enjoy life!



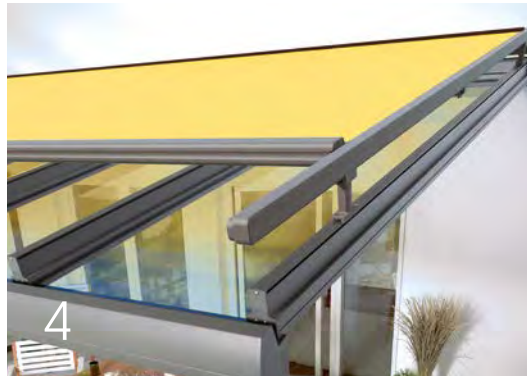
*Quality "made in Germany":*

*all awnings and glass roofs from Lewens  
are manufactured in Germany.*

Just  
enjoy life!



Ancona



4



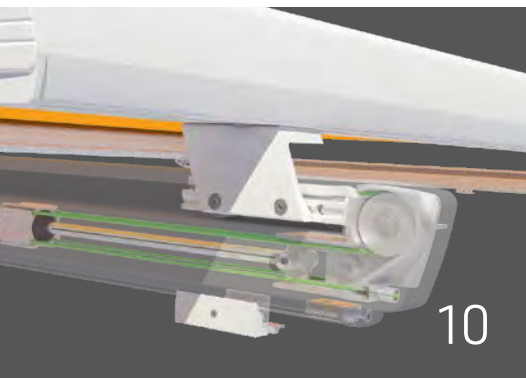
6

Portofino



8

Capri



10

Quality and technology

Comfort options



12

## Contents

### Models

**Ancona** 4  
for below or above

**Portofino** 6  
Interior awning with zip

**Capri** 8  
Roof-mounted awning with adjustable rails

### Equipment

**Quality and technology** 10  
Focus on function and workmanship

**Comfort options** 12  
Vario Valance, electrics and wireless

**Fabrics and colours** 14  
Fabric collection and choice of frame colours

**Technical data** 16  
at a glance



### **Vario Valance**

*(optional for Interior type)*

*Especially when the sun is low in the sky, the Vario Valance offers variable protection from the sun and glare. The valance can be extended and retracted independently of the awning.*



## Ancona glass roof awning

Optionally with Vario Valance – for maximum comfort



4

### **Interior type**

*– for interior mounting on the rafters of the glass roof or conservatory, specially developed for freely suspended installation below a protective glass roof.*



## Below or above

- Width max. 600 cm, drop max. 450 cm (depending on type and equipment)
- Electric motor
- Comfort options:  
Radio motor/radio remote control, automatic weather sensor, radiant heater, Vario Valance (only Interior type)

Types to choose from:

- **Interior** for installation below a protective glass roof
- **Roof-mounted** for fitting on a conservatory or glass roof, including roof cover



The front drop can be adapted with centimetre accuracy to the rafter length of the glass roof or conservatory.

Whether fitted below or above the glass, the Ancona glass roof awning is the perfect solution for anyone who wishes to enjoy the conservatory or glass roof all year round and wants a practical, easy-care sunshade. The Interior type ensures that the awning remains dry, clean and safely protected from wind and weather damage. For roof mounting the Ancona awning is equipped with a protective roof cover.

## Roof-mounted type

– for attachment from above to the rafters of the glass roof or conservatory. Since it is exposed to the effects of the weather, this awning type is always supplied with a protective roof cover.



### Roof cover

– standard for Roof-mounted type  
– optional extra for Interior type  
Turns the awning casing into a cassette that protects the fabric and mechanism.





## Enhanced comfort features

- Width, 1 unit max. 600 cm, double unit max. 1200 cm drop max. 500 cm
- Zip guide and patented balance spring technology
- Electric motor
- Options:  
Radio motor/  
radio remote control,  
automatic weather sensor,  
LED lighting,  
radiant heater,  
Vario valance

## Portofino Interior type

Zip awning for glass roofs and conservatories



*When the sun is low in the sky, the optional **Vario valance** offers a sunshade and privacy screen that can be adjusted as required.*

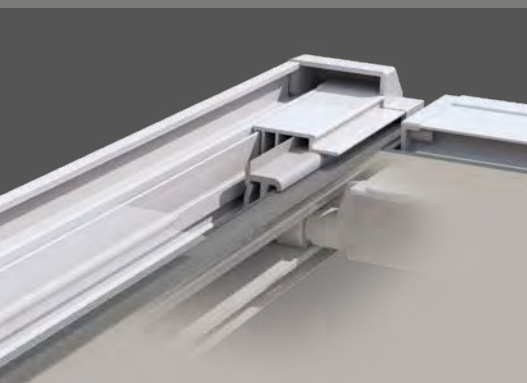
*Options for mood lighting:  
an **LED strip** integrated into the cassette  
and an **LED profile** that can be positioned  
below the guide tracks.*





*Smooth fabric and complete protection from the sun thanks to tracks with a lateral zip guide and patented balance spring technology*

Perfect wall-to-wall shade for glass roofs and conservatories with no intrusive light slits at the sides – that is what the Portofino interior awning offers. The closed zip guide of the awning with patented balance spring technology ensures that the awning is always taut. Options such as radio remote control, LED lighting and a Vario valance provide added convenience and enhanced comfort.



## Fabric guide **ZIP**

*The track systems, which have received recognition with the GDA Aluminium Profile Award, are equipped with a zip guide and patented balance spring technology. These ensure a taut sit of the fabric and complete shade from the sun.*



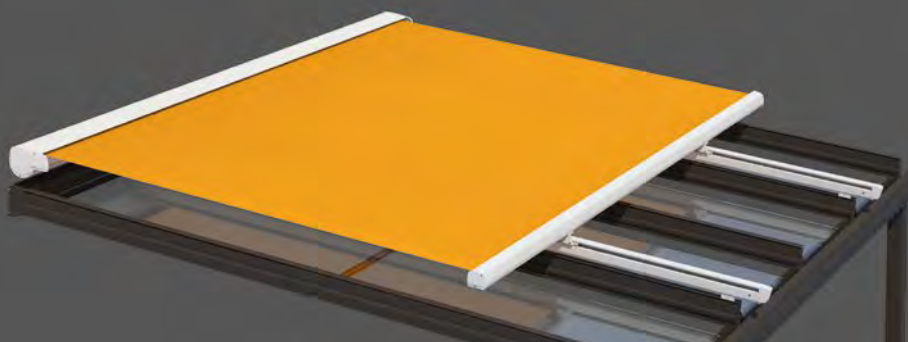


## Equipment and extras

- Width, 1 unit max. 700 cm (Pergola type max. 600 cm), joined system max. 1200 cm, drop max. 600 cm
- Electric motor
- Options:
  - Radio motor/ radio remote control,
  - automatic weather sensor,
  - radiant heater,
  - extra fabric supports

## Capri – all aspects well covered

Roof-mounted awning for glass roofs and conservatories



## Flexible positioning

*Since the guide rails lie underneath the fabric, they can be positioned flexibly and moved inwards symmetrically on installation up to 80 cm from the outside edge.*

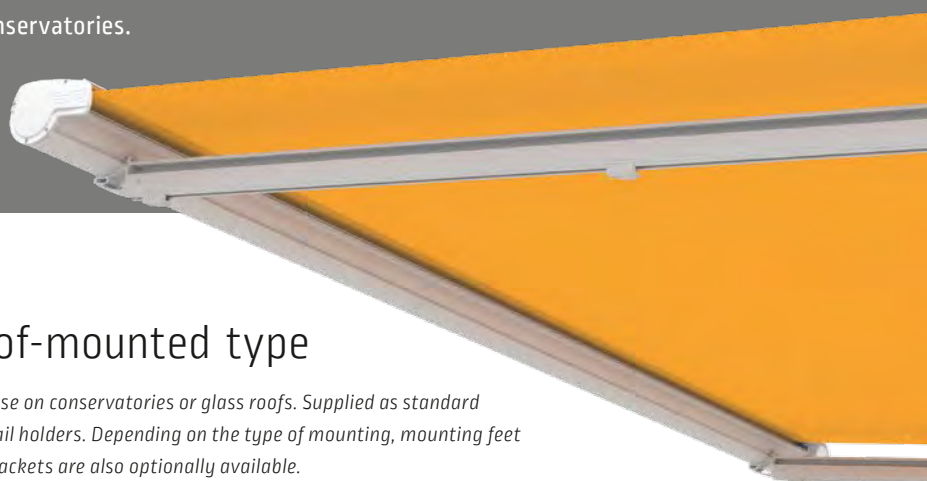




*Capri roof-mounted type: sturdy, decorative and heat-repellent shade provider on the conservatory.*

The Capri awning is fitted to conservatories and glass roofs as an external sunshade, preventing excessive sunlight from getting in. When used on conservatories in particular, it protects the room from heating up. Available as a single awning or a joined system, this awning is suitable also for large areas and conservatories.

Featuring guide rails that can be positioned recessed inwards, it is the perfect solution for a hipped conservatory or inclined glass surfaces.



## Roof-mounted type

– for use on conservatories or glass roofs. Supplied as standard with rail holders. Depending on the type of mounting, mounting feet and brackets are also optionally available.



## Recessed

Since the guide rails on the **Capri** awning lie underneath the fabric, they can be positioned flexibly and moved inwards symmetrically on installation up to 80 cm from the outside edge. It's the perfect solution for hipped conservatories or slanting glass panes.



## External

On the **Ancona** awning, the guide rails are in the same plane as the fabric and always located externally on the sides. In the extended position, the rails and front drop create a frame around the awning fabric.



## External + zip

On the **Portofino** awning, the guide rails are likewise in the fabric plane and externally on the sides of the awning fabric. The zip guide holds the fabric perfectly in shape and position.



## Quality and technology made in Germany

Based on reliable and proven technology and with intelligently designed details, rail systems from Lewens make a convincing impression due to their ease of operation and flexible installation options. Centimetre-accurate manufacturing, even in intermediate sizes, ensures a perfect fit in virtually any desired location.

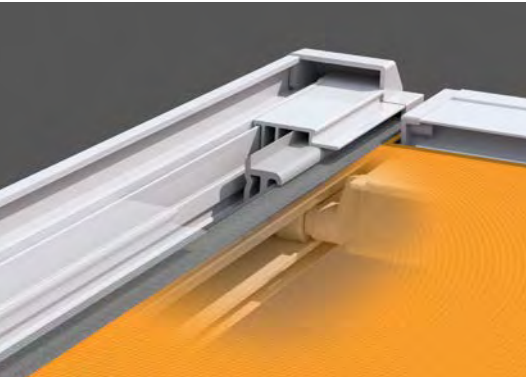
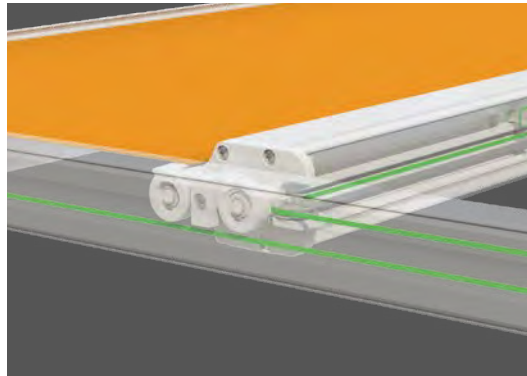
## Award-winning

For its highly accurate, easy to assemble rail systems, the **Portofino** awning won the **GDA Aluminium Profile Award** of the Gesamtverband der Aluminiumindustrie e.V., the German aluminium industry association. It was also recognised with the **German Design Award 2022 in gold** and with the **iF Design Award 2022** for its successful combination of outstanding design and innovative technology.



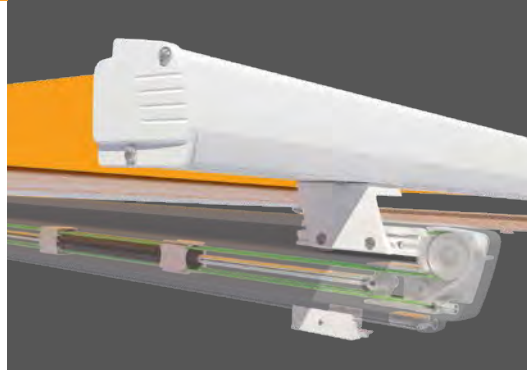
A look at the components in the side rails shows the interaction of the traction cable and spring when the front profile is extended.

**Ancona:**  
Castors ensure quiet running.



**Portofino:**  
The zip fabric guide and patented balancing spring technology ensure a taut sit of the fabric and complete shade from the sun.

**Capri:**  
The carriage is supported in needle roller bearings for quiet operation of the front profile.



On the Ancona the **roof cover** closes the casing of the awning, protecting the fabric and mechanism. The Capri is designed as a full-cassette awning.

Because the weight of the fabric on large awnings can cause the awning to sag in the middle, a **fabric support wire** (1-2 wires on Ancona) or a **fabric support** (1 on Capri) is also supplied.

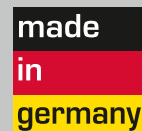


Guaranteed  
quality



Quality and production  
to CE standard:

Look out for the mark  
guaranteeing the quality  
and technical safety  
of our products.



**Branded goods from Germany:**

Lewens awnings are manu-  
factured and assembled in  
Germany –  
quality “made in Germany”!



### Model/type

- Ancona Interior type
- Portofino Interior type

### Operation

- Crank:  
For installations up to 400 cm wide, hanging heights 150 and 200 cm
- Solar-powered RTS motor:  
For installations up to 600 cm wide, Length 150 cm (acrylic, polyester) or 160 cm (Soltis 92)

### Awning fabric

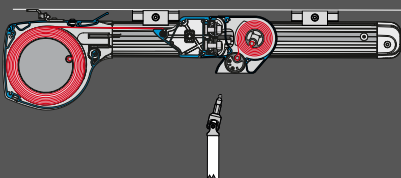
- Acrylic, polyester:  
lengths 150 and 200 cm
- Soltis 92:  
Hanging height approx. 160 cm

*Not in combination with radiant heater.*

## Option

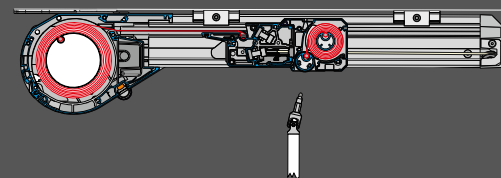
### Vario Valance

The **Vario Valance** offers variable shade and privacy while retaining the headroom below the awning. When the awning is retracted, the Vario Valance can also be used as a window blind, creating shade and a cool climate inside.



**Ancona Interior type**  
with Vario Valance option

**Portofino Interior type**  
with Vario Valance option





**Radio controllers in io technology from Somfy**

create the prerequisites for integrating all patio functions into the home automation system (TaHoma, Connexoon), with convenient operation by tablet or smartphone.



**Automatic weather sensor**

Sun and wind monitors and wind sensors to io standard ensure automatic, weather-dependent control of awnings – even when there's no one at home.



**Infrared radiant heaters**

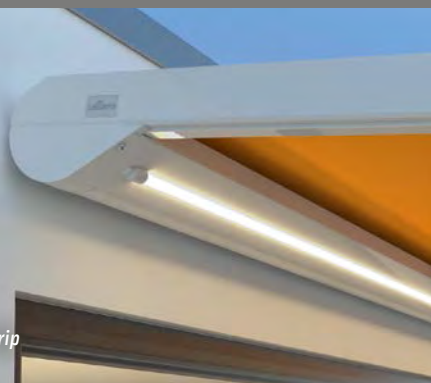
to io standard create a cosy atmosphere and pleasant warmth under awnings and glass roofs, even on chilly days.



# Options

## Electrical

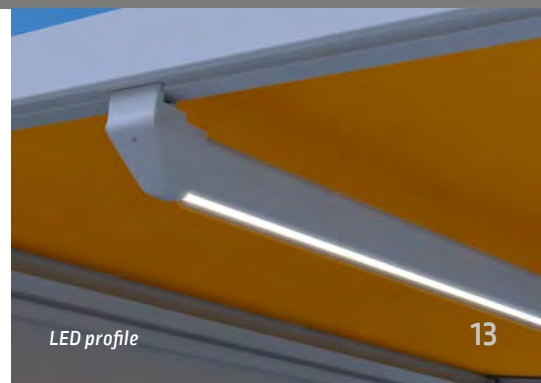
Want more than the wall switch for operation and other comfort features too? Then you have the choice of radio control systems, radiant heater and automatic weather sensor components meeting the current Somfy io standard, which can be integrated into the home automation system (TaHoma, Connexoon).



LED strip

**LED lighting (Portofino)**

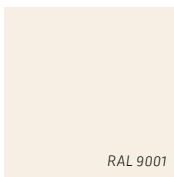
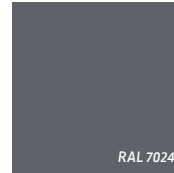
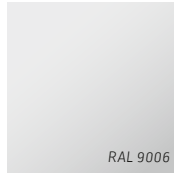
Equipped with a radio receiver for io technology (option), suitable mood lighting for any situation can be created by remote control or via the home automation system.



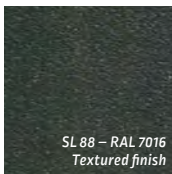
LED profile



Standard RAL colours *at no extra charge*:



Textured finishes *at no extra charge*:



# Frame colours to order

The frames of Lewens glass roofs and awnings are given a high-grade powder coating, rendering them particularly UV- and weather-resistant. An optional preanodising treatment increases the durability of the coating for products used in coastal regions. Hundreds of RAL colours and textured finishes are available to choose from, including a wide range of contemporary colours offered as standard at no extra charge.



### Preanodising [optional]:

An optional preanodising treatment increases the durability of the coating for products used in coastal regions in particular. This can be selected when ordering.

*Colour deviations are possible due to the printing process used.*

The Lewens collection offers you high-quality, spun-dyed acrylic and polyester fabrics that retain their colour brilliance for a long time. Semi-transparent, glass fibre woven screen fabrics and Soltis 92 complete the range, which features modern and classic designs, solid colours, fine textures and 3D effects across the entire colour spectrum.

Lewens awning fabrics have been created especially for use outdoors and are treated to make them water- and dirt-repellent. We make the awnings up using the latest sewing techniques for distortion-free seams and also using ultrasonic bonding. We have designed our manufacturing facility so that the awning fabrics can be laid out entirely flat (not folded) for making up.

**Some of our quality features:**

- Secure lockstitch used for making up, optionally also with ultrasonically bonded seam (surcharge).
- Awning and valance are produced from one piece (identical repeat pattern)
- Seams on top and bottom and valance seam neatened (clean completion)
- Repeat-symmetrical completion left and right
- Use of Tenara® quality sewing yarn (also for valances)

## The Collection

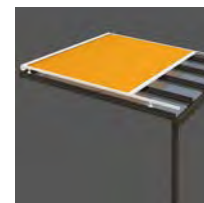
Fabrics ranging  
from modern to classic

*For Vario Valances,  
the choice of **Soltis 92**  
woven fabric is recom-  
mended, which provides  
protection from the sun  
and glare while affording  
a view outwards.*



# Ancona

Equipment and technical features



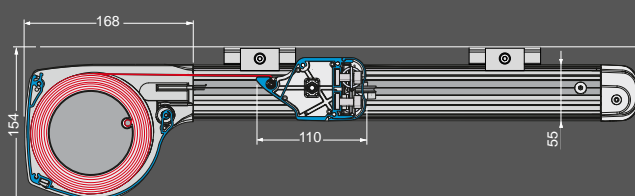
Manufactured and assembled in Germany  
Quality and technology CE-compliant

Type	Interior	Roof-mounted
System height (incl. standard attachment)	154 mm	175 mm
<b>Unit widths (max.)</b>		
1 unit (single field)	600 cm	600 cm
<b>Drop (max.)</b>		
Depth (incl. cassette and pulley)	450 cm	450 cm
<b>Drive</b>		
Electric motor (for wall switch)	<input checked="" type="checkbox"/>	<input checked="" type="checkbox"/>
Radio motor (io)	<input type="checkbox"/>	<input type="checkbox"/>
<b>Frame colours</b>		
17 RAL colours + 6 textured finishes (Lewens standard colours)	<input checked="" type="checkbox"/>	<input checked="" type="checkbox"/>
Additional RAL, special colours and effect finishes	<input type="checkbox"/>	<input type="checkbox"/>
<b>Awning fabrics from the LEWENS collection</b>		
Branded acrylic (spun-dyed, ultra fade resistant)	<input checked="" type="checkbox"/>	<input checked="" type="checkbox"/>
Branded polyester (spun-dyed, ultra fade resistant)	<input type="checkbox"/>	<input type="checkbox"/>
Tenara quality sewing yarn	<input checked="" type="checkbox"/>	<input checked="" type="checkbox"/>
Ultrasonic seam welding	<input type="checkbox"/>	<input type="checkbox"/>
<b>Options</b>		
1   Radio motor + radio remote control (io)	<input type="checkbox"/>	<input type="checkbox"/>
2   Automatic weather sensor	sun <input type="checkbox"/>	sun, wind, rain <input type="checkbox"/>
3   Radiant heater (only wall attachment)	<input type="checkbox"/>	<input type="checkbox"/>
4   Extra fabric support wire	<input type="checkbox"/>	<input type="checkbox"/>
5   Roof cover	<input type="checkbox"/>	always included! <input checked="" type="checkbox"/>
6   Vario Valance (not with 3)	<input type="checkbox"/>	-
7   RTS solar radio motor for Vario valance	<input type="checkbox"/>	-
<b>Attachment</b>		
Interior mounting	<input checked="" type="checkbox"/>	-
Roof mounting	-	<input checked="" type="checkbox"/>
<b>Attachment materials</b>		
Rail holders (without assembly screws/plugs)	<input checked="" type="checkbox"/>	-
Mounting feet, size 10 (without assembly screws/plugs)	<input type="checkbox"/>	<input checked="" type="checkbox"/>
zusätzliches Befestigungsmaterial	<input type="checkbox"/>	<input type="checkbox"/>
<b>Note</b>		
Due to the design and the weight of the awning fabric, the fabric may sag in the middle on large awning sizes. However, this has no effect on the operation and / or service life of the awning.		

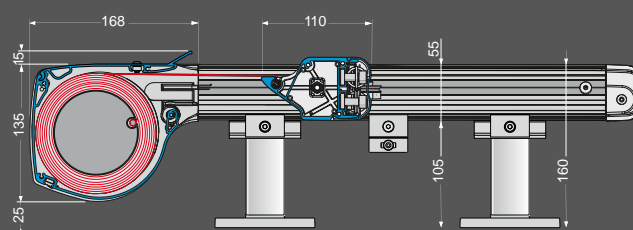
Possible dimensions and restrictions along with the complete range of electronic accessories can be found in the technical data in the current Lewens price list.

Standard  Option - not available

Ancona Interior type



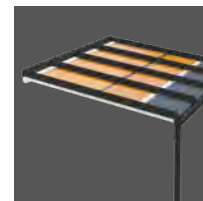
Ancona Roof-mounted type





# Portofino

Equipment and technical features



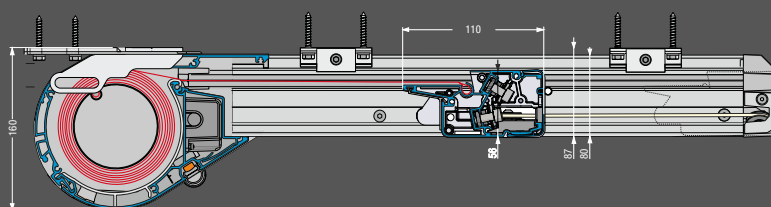
Type	Interior
Fabric guide	<b>ZIP</b>
System height (incl. standard attachment)	160 mm
<b>Unit widths (max.)</b>	
1 unit (single field)	600 cm
2-part (double unit: 2 cassettes, 2 motors, 4 guide rails)	1200 cm
<b>Drop (max.)</b>	
Depth (incl. cassette and pulley)	500 cm
<b>Drive</b>	
Electric motor (for wall switch)	<input checked="" type="checkbox"/>
Radio motor (io)	<input type="checkbox"/>
<b>Frame colours</b>	
17 RAL colours + 6 textured finishes (Lewens standard colours)	<input checked="" type="checkbox"/>
Additional RAL, special colours and effect finishes	<input type="checkbox"/>
<b>Awning fabrics from the LEWENS collection</b>	
Branded acrylic (spun-dyed, ultra fade resistant)	<input checked="" type="checkbox"/>
Branded polyester (spun-dyed, ultra fade resistant)	<input type="checkbox"/>
Tenara quality sewing yarn	<input checked="" type="checkbox"/>
<b>Options</b>	
1   Radio motor + radio remote control (io)	<input type="checkbox"/>
2   Automatic weather sensor	Sun <input type="checkbox"/>
3   Lighting – integral LED strip, LED profile	<input type="checkbox"/>
4   Radiant heater (only wall attachment)	<input type="checkbox"/>
5   Vario valance (not with 4)	<input type="checkbox"/>
6   RTS solar radio motor for Vario valance	<input type="checkbox"/>
<b>Attachment</b>	
Interior fitting	<input checked="" type="checkbox"/>
<b>Attachment materials</b>	
Rail holders (without assembly screws/plugs)	<input checked="" type="checkbox"/>
additional/other attachment materials	<input type="checkbox"/>
<b>Note</b>	

Due to the design and the weight of the awning fabric, the fabric may sag in the middle on large awning sizes. However, this has no effect on the operation and / or service life of the awning.

Possible dimensions and restrictions along with the complete range of electronic accessories can be found in the technical data in the current Lewens price list.

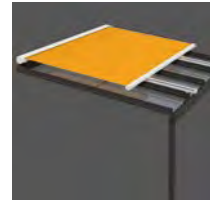
Standard  Option

Portofino Interior type



# Capri

Equipment and technical features



Manufactured and assembled in Germany  
Quality and technology CE-compliant

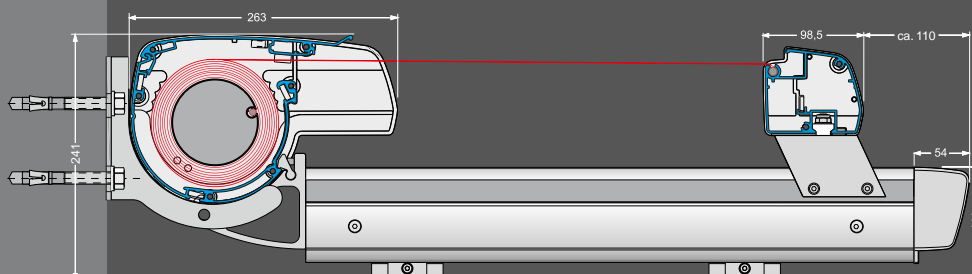
Type	Roof-mounted
System height <i>(incl. standard attachment)</i>	241 mm
<b>Unit widths <i>(max.)</i></b>	
1 unit <i>(single field)</i>	700 cm
2 units <i>(joined system without slit cover, fabric gap 4 cm)</i>	1.200 cm
<b>Drop <i>(max.)</i></b>	
Depth <i>(incl. cassette, plus 11 cm pulley)</i>	600 cm
<b>Drive</b>	
Electric motor <i>(for wall switch)</i>	<input checked="" type="checkbox"/>
Radio motor <i>(io)</i>	<input type="checkbox"/>
<b>Frame colours</b>	
17 RAL colours + 6 textured finishes <i>(Lewens standard colours)</i>	<input checked="" type="checkbox"/>
Additional RAL, special colours and effect finishes	<input type="checkbox"/>
<b>Awning fabrics <i>from the LEWENS collection</i></b>	
Branded acrylic <i>(spun-dyed, ultra fade resistant)</i>	<input checked="" type="checkbox"/>
Branded polyester <i>(spun-dyed, ultra fade resistant)</i>	<input type="checkbox"/>
Tenara quality sewing yarn <i>(With corner reinforcement and side hem, 10 cm)</i>	<input checked="" type="checkbox"/>
<b>Options</b>	
1   Radio motor + radio remote control <i>(io)</i>	<input type="checkbox"/>
2   Automatic weather sensor <i>(sund,wind, rain)</i>	<input type="checkbox"/>
3   Radiant heater <i>(only wall attachment)</i>	<input type="checkbox"/>
4   Extra fabric support	<input type="checkbox"/>
<b>Attachment</b>	
Roof mounting	<input checked="" type="checkbox"/>
<b>Inward positioning of guide rails and posts</b>	
Inward positioning	max. 80 cm
<i>(other) inward positioning on request <i>(indicate when ordering)</i></i>	<input type="checkbox"/>
<b>Attachment materials</b>	
Rail holders <i>(without assembly screws/plugs)</i>	<input checked="" type="checkbox"/>
additional/further attachment materials	<input type="checkbox"/>

**Note**  
Due to the design and the weight of the awning fabric, the fabric may sag in the middle on large awning sizes.  
However, this has no effect on the operation and / or service life of the awning.

Possible dimensions and restrictions along with the complete range of electronic accessories can be found in the technical data in the current Lewens price list.

Standard    Option

Capri Roof-mounted type



Vertical awning

## Micro 2020

Type



Angular



Fabric guide



**ZIP** guide (Z)

### Equipment

for large single units

Cassette flush with wall

Cassette, H x D approx. 110 x 113 mm

### Fabric

Screen

Height max. 270 cm

Acrylic/Polyester

Height max. 220 cm

Width 1 unit max. 600 cm

Drive Motor

Standard  Option

### Options

- Radio motor + radio remote control
- Automatic weather sensor



Side screen awning

## Micro 700

Type



### Equipment

Side screen awning

Wall cassette

Screen height up to max. 250 cm

Extension, depending on height and fabric max. 400 cm

Attachment

Wall bracket

Post

Drive Manual operation

### Fabric

Acrylic/Soltis 92

Polyester

Standard  Option

### Options

- additional handles

Further information

can be found in the "Façade Awnings" and "Micro 700" brochures.



[www.lewens-markisen.de](http://www.lewens-markisen.de)



Your stockist will be happy to advise you: